

A man with dark hair and a slight smile is using a grey exercise machine in a gym. He is wearing a black polo shirt. The background is a bright, out-of-focus gym environment. The 'item' logo is in the top right corner.

**item**

**Line D30 – simple, flexible and efficient.**

New Products Autumn 2010



## Line D30 from item – faster and easier than ever before.

Simple handling is the key feature of Line D30 and delivers maximum cost efficiency through continuous improvements in manufacturing processes. It is made possible by non-machined connections, simple joining and a forgiving design principle.

The freedom and flexibility of a tubing system coupled with the item Building Kit System result in a diverse range of possible combinations. Giving you the ultimate flexibility for turning your ideas into reality.

The components deliver exceptional performance – significantly lighter than steel designs but still stable, thanks to the benefits of profiled tubes. Fastenings can be implemented anywhere – in the perfect position and at any angle. Furthermore, support of the item Profile 6 groove enables users to take advantage of the wide range of accessories in the MB Building Kit System.



## The philosophy

Lean production made easy. The use of lightweight materials for Line D30 from item makes work straightforward and efficient. Systems can be put together easily as your needs dictate, to help make your production systems more cost-effective.

Easy to assemble, easy to convert – and no need for specialist skills when handling the self-explanatory functional elements. That is why the systems can also be assembled directly on site.

Production control systems based on the Kanban principle are supported by a range of accessories such as Castor Rails and Swivel Castors.

## The technology

Lightweight and stable

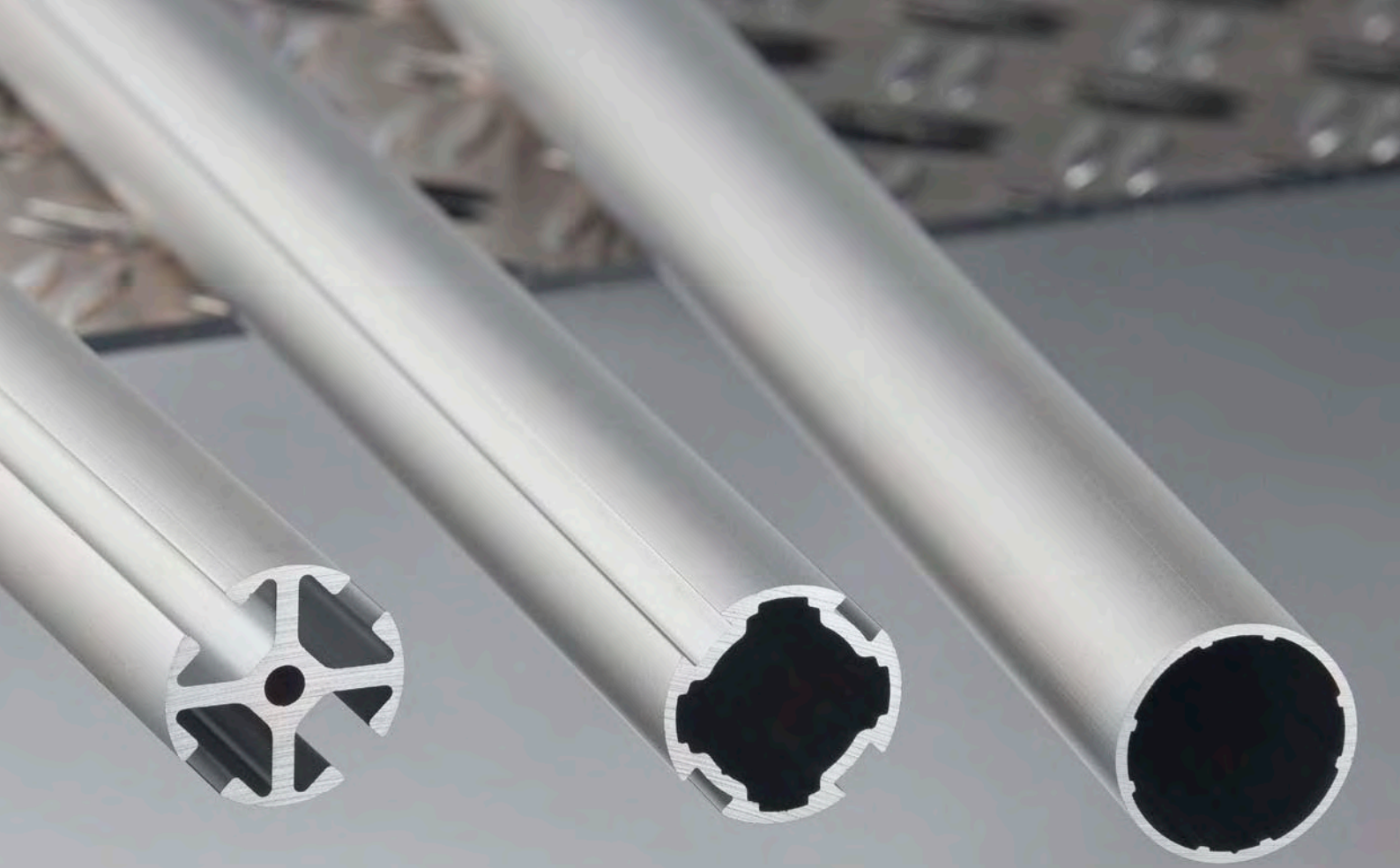
Made entirely of aluminium – Tubes, Profiles and connecting elements. The high rigidity, outstanding corrosion resistance and low weight of this material have resulted in it becoming a tried-and-trusted material in many production applications. The quality of the design is also clear to see. The high-quality look of the material serves as a lasting reminder of the economic benefits.

Processing – faster and easier than ever before

Profiles and Tubes are cut to length – cut-off tolerances and angular errors are compensated by the connecting elements. No further processing is required, as all the connecting elements are applied externally.

The one-screwdriver principle means there's no need to waste time finding the right tools and makes building structures with Line D30 an incredibly efficient process.

The fasteners can be attached at any position, meaning there is no need to first work out where they need to be located.



## Profiles and accessories.

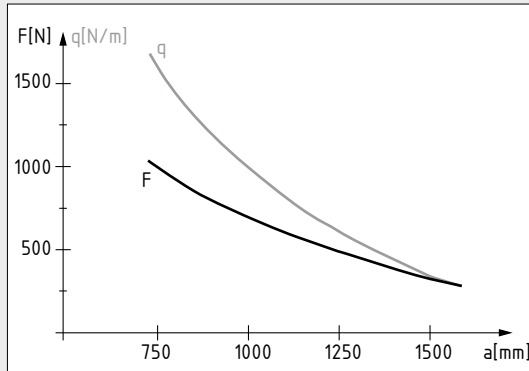
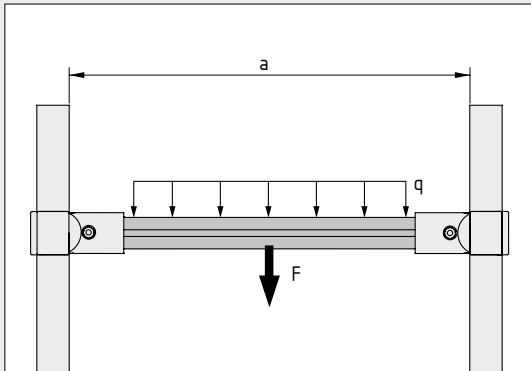
### **A fully rounded solution**

The Tubes and Profiles in Line D30 have one thing in common – their basic diameter of 30 mm makes solutions incredibly rigid. It also corresponds to the modular dimension of item Profile 6, producing a whole range of opportunities for combination.

Universal and flexible – Tube D30 and Profile Tube D30 form the basic structure of designs. Simply cut to size and fit together using the fastening elements.

The design of Profile Tube D30 ensures perfect profile alignment every time, making tube connection very straightforward.

Profiles 6 D30 go even further, with four true Profile 6 grooves enabling universal use of the fastening elements in Line 6. These Profiles can be combined with Tube D30 and Profile Tube D30 as and when required.



Permissible loads for profile designs



Caps for the ends of Profiles and Tubes are available in two variants – elegant grey and a black, electrostatically dissipative version. This makes it easy to identify the intended application of a Cap.

Any covered grooves on a Profile can be opened up as and when required, thereby allowing you to insert panelling and fastening elements.



#### Tube D30

Al, anodized

A [cm <sup>2</sup> ]	m [kg/m]	I <sub>x</sub> [cm <sup>4</sup> ]	I <sub>y</sub> [cm <sup>4</sup> ]	W <sub>x</sub> [cm <sup>3</sup> ]	W <sub>y</sub> [cm <sup>3</sup> ]
1.26	0.34	1.29	1.29	0.86	0.86

natural, cut-off max. 6000 mm

0.0.628.56

natural, 1 pce., length 6000 mm

0.0.628.52



#### Profile Tube D30

Al, anodized

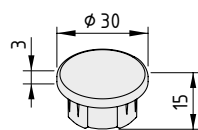
A [cm <sup>2</sup> ]	m [kg/m]	I <sub>x</sub> [cm <sup>4</sup> ]	I <sub>y</sub> [cm <sup>4</sup> ]	W <sub>x</sub> [cm <sup>3</sup> ]	W <sub>y</sub> [cm <sup>3</sup> ]
1.97	0.53	1.71	1.71	1.14	1.14

natural, cut-off max. 6000 mm

0.0.628.28

natural, 1 pce., length 6000 mm

0.0.628.17



#### Cap, Tube D30

PA-GF  
m = 4.6 g

grey, similar to RAL 7042, 1 pce.

0.0.629.78

#### Cap, Tube D30 ESD



PA-GF  
m = 4.6 g

black, similar to RAL 9005, 1 pce.

0.0.637.04



#### Profile 6 D30

Al, anodized

A [cm <sup>2</sup> ]	m [kg/m]	I <sub>x</sub> [cm <sup>4</sup> ]	I <sub>y</sub> [cm <sup>4</sup> ]	W <sub>x</sub> [cm <sup>3</sup> ]	W <sub>y</sub> [cm <sup>3</sup> ]
2.79	0.75	1.69	1.69	1.12	1.12
natural, cut-off max. 6000 mm					0.0.616.46
natural, 1 pce., length 6000 mm					0.0.616.45



#### Profile 6 D30 1N

Al, anodized

A [cm <sup>2</sup> ]	m [kg/m]	I <sub>x</sub> [cm <sup>4</sup> ]	I <sub>y</sub> [cm <sup>4</sup> ]	W <sub>x</sub> [cm <sup>3</sup> ]	W <sub>y</sub> [cm <sup>3</sup> ]
2.84	0.77	1.69	1.78	1.12	1.19
natural, cut-off max. 6000 mm					0.0.615.09
natural, 1 pce., length 6000 mm					0.0.615.08



#### Profile 6 D30 2N90

Al, anodized

A [cm <sup>2</sup> ]	m [kg/m]	I <sub>x</sub> [cm <sup>4</sup> ]	I <sub>y</sub> [cm <sup>4</sup> ]	W <sub>x</sub> [cm <sup>3</sup> ]	W <sub>y</sub> [cm <sup>3</sup> ]
2.88	0.78	1.79	1.79	1.19	1.19
natural, cut-off max. 6000 mm					0.0.615.13
natural, 1 pce., length 6000 mm					0.0.615.11



#### Profile 6 D30 2N180

Al, anodized

A [cm <sup>2</sup> ]	m [kg/m]	I <sub>x</sub> [cm <sup>4</sup> ]	I <sub>y</sub> [cm <sup>4</sup> ]	W <sub>x</sub> [cm <sup>3</sup> ]	W <sub>y</sub> [cm <sup>3</sup> ]
2.88	0.78	1.69	1.88	1.15	1.25
natural, cut-off max. 6000 mm					0.0.614.24
natural, 1 pce., length 6000 mm					0.0.614.23



#### Profile 6 D30 3N

Al, anodized

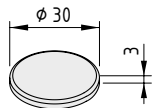
A [cm <sup>2</sup> ]	m [kg/m]	I <sub>x</sub> [cm <sup>4</sup> ]	I <sub>y</sub> [cm <sup>4</sup> ]	W <sub>x</sub> [cm <sup>3</sup> ]	W <sub>y</sub> [cm <sup>3</sup> ]
2.94	0.79	1.79	1.89	1.19	1.26
natural, cut-off max. 6000 mm					0.0.615.17
natural, 1 pce., length 6000 mm					0.0.615.16



#### Profile 6 D30 4N

Al, anodized

A [cm <sup>2</sup> ]	m [kg/m]	I <sub>x</sub> [cm <sup>4</sup> ]	I <sub>y</sub> [cm <sup>4</sup> ]	W <sub>x</sub> [cm <sup>3</sup> ]	W <sub>y</sub> [cm <sup>3</sup> ]
2.98	0.80	1.89	1.89	1.26	1.26
natural, cut-off max. 6000 mm					0.0.616.49
natural, 1 pce., length 6000 mm					0.0.616.48



#### Cap 6 D30

PA-GF  
m = 2.1 g

grey, similar to RAL 7042, 1 pce.	0.0.634.45
-----------------------------------	------------

#### Cap 6 D30 ESD



PA-GF  
m = 2.1 g

black, similar to RAL 9005, 1 pce.	0.0.637.03
------------------------------------	------------



## Fasteners.

### Ingenious fasteners

The unique concept of Fasteners D30 allows Tubes, Profile Tubes and Profiles with standard grooves to be connected together using the same fastening elements.

High clamping forces ensure the construction is stable, and the item clamping technology prevents twisting in contact even with plain Tubes. item provides additional bracing struts as an optional extra to counteract high moment loads.

The D30 fastening elements support exceptional tolerance compensation – cut-offs of Tubes and Profiles do not need to be completely precise. They can be cut up to 5 mm shorter without affecting the holding force of the fastening.

Fundamentally, Profiles D30 or Tubes D30 do not need to be processed any further in order to be able to use the fastening elements!

### Includes ESD

The fasteners in Line D30 automatically establish contact between the various components, thereby safely dissipating harmful electrostatic charges.





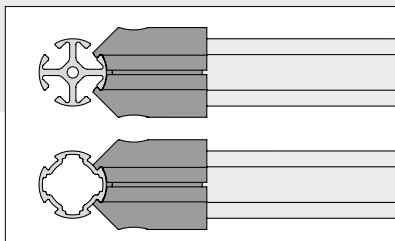
Keeping a firm grip.

No profile processing necessary

## Fastener D30

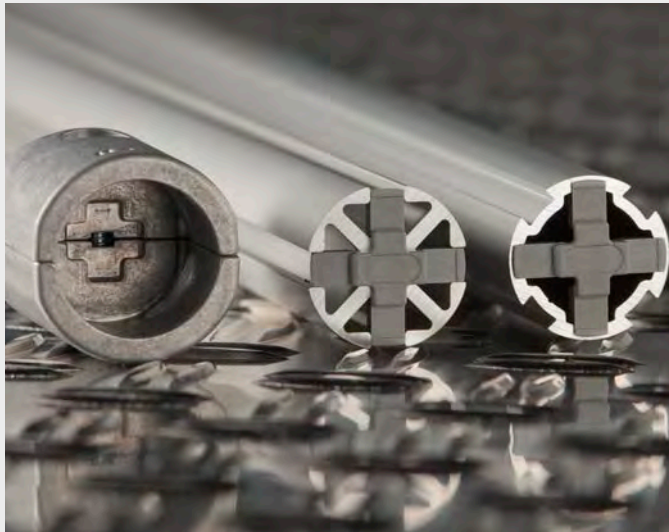
The universal 90° fastening for all Tubes D30, Profile Tubes D30 and Profiles 6 D30 – with tolerance compensation and ESD contact built in.

Caps D30 R are used to cover over the screw connection of the fastener, making cleaning easy and ensuring your design looks its best. Two Caps D30 R are used for each Fastener D30.

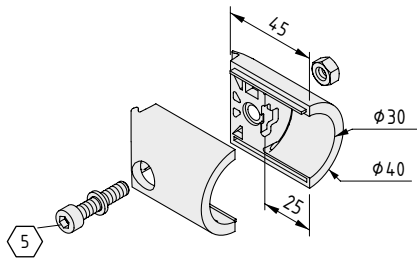
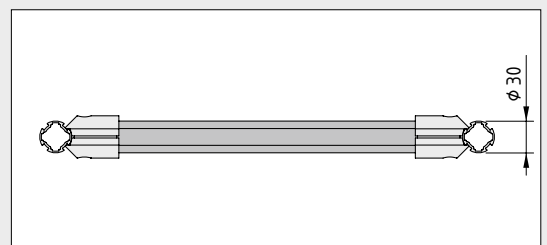
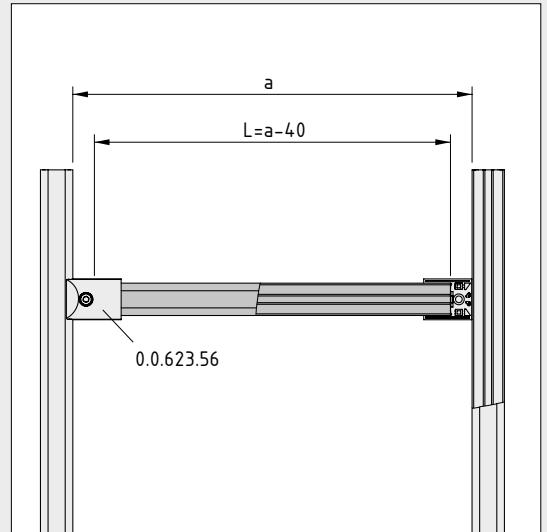


### Tip

Cap D30 R holds the nut in place in the Fastener when creating the screw connection. This makes assembly a great deal easier – even in awkward positions!



Using the Anti-Torsion Blocks makes it even easier to combine the Fastener with Profile Tubes D30 and Profiles 6 D30. They ensure the Profiles are correctly aligned in the Fastener, making it easy to avoid assembly errors.



**Fastener D30**

2 fastener halves D30, die-cast aluminium, natural  
 Washer, St, bright zinc-plated  
 Hexagon Socket Head Cap Screw DIN 912 M6x28, St, bright zinc-plated  
 Hexagon nut DIN 934 M6-5, St, bright zinc-plated  
 m = 105.0 g

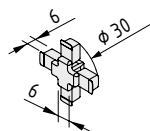
1 set 0.0.623.56



**Cap D30 R**

PA-GF  
 m = 0.3 g  
 grey, similar to RAL 7042, 1 pce.

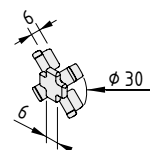
0.0.624.11



**Anti-Torsion Block 6 D30**

PA-GF  
 m = 1.4 g  
 grey, similar to RAL 7042, 1 pce.

0.0.630.39



**Anti-Torsion Block 6 D30-45°**

PA-GF  
 m = 1.4 g  
 grey, similar to RAL 7042, 1 pce.

0.0.630.40



Hooked on Profiles.



### Tube Adapter D30

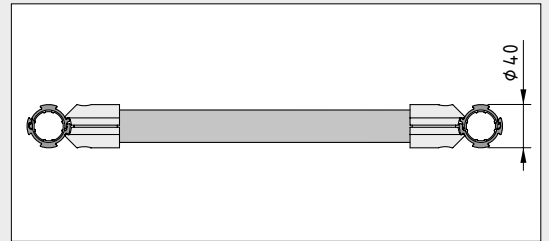
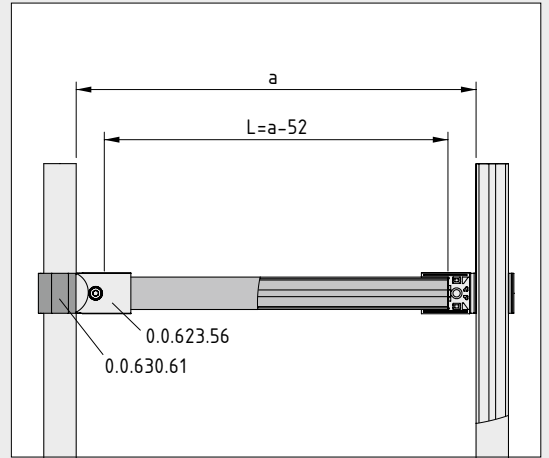
The Tube Adapter turns plain cylindrical tubes into profiles! Simply fit it around the tube and the D30 fastener is ready for use. The Fastener clamps the Tube Adapter, creating exceptional torsion and slip protection.

Suitable for connecting up to 4 Fasteners to a single Tube in a single plane.

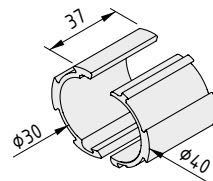
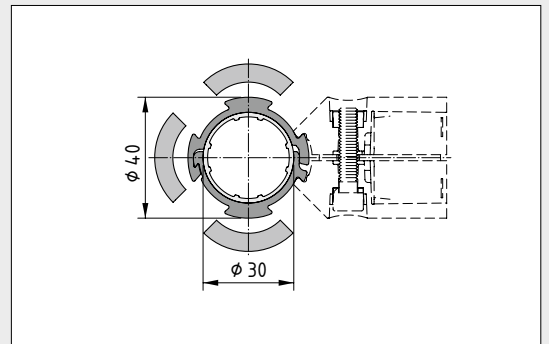
The optional Cap securely covers any connection points on the Tube Adapter D30 that are not required. Up to 3 Caps can be fitted to each Tube Adapter D30.



Tube Adapter D30 also allows connections to be made to Profiles 6 D30 at any angle.



A Fastener D30 clamps Tube Adapter D30 on the Tube. Up to 4 fastening elements can be connected to one Tube Adapter D30.

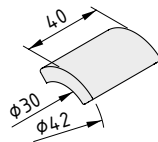


**Tube Adapter D30**

Tube collar, inside, Al, natural  
 Tube collar, outside, Al, natural  
 m = 33.0 g

1 set

0.0.630.61



**Tube Adapter Cap D30**

PA-GF  
 m = 3.1 g  
 grey, similar to RAL 7042, 1 pce.

0.0.630.23

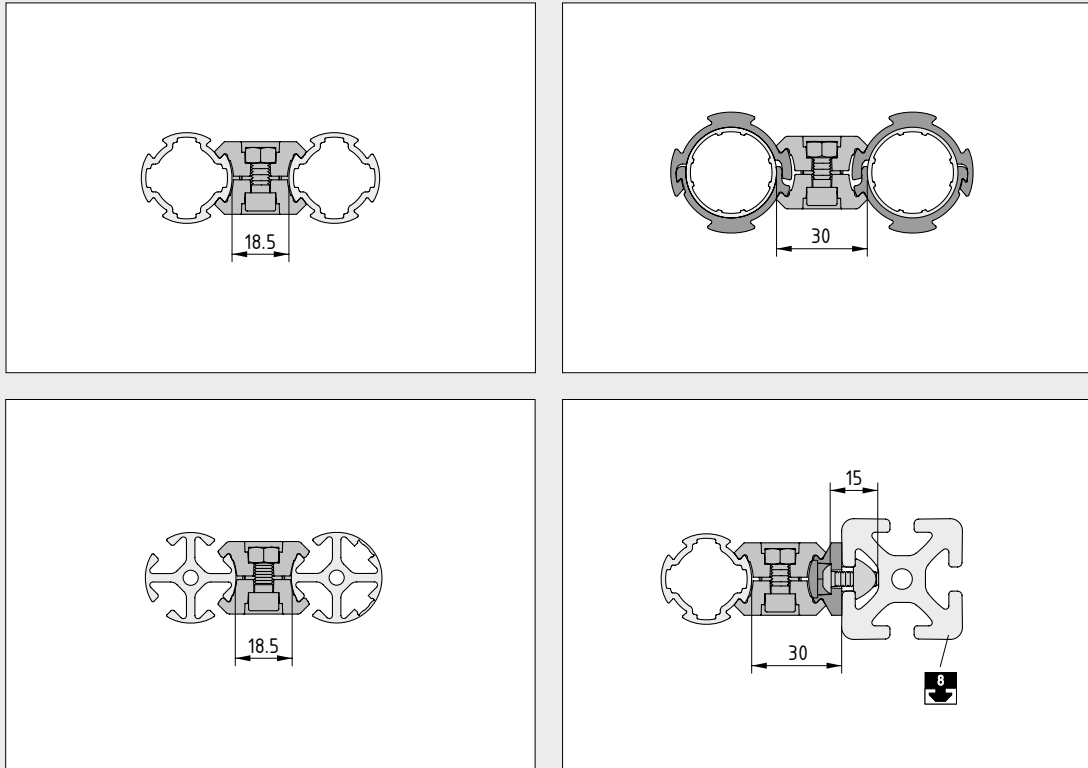
A close-up photograph of a Parallel Fastener D30, a rectangular metal component with a circular hole in the center, connecting two parallel metal profiles. The fastener is secured with a screw. The brand name 'item' is embossed on the right side of the fastener. A red banner is overlaid at the top of the image with the text 'A parallel universe.'

A parallel universe.

### Parallel Fastener D30

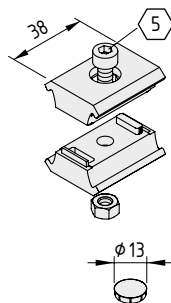
Connects Profiles and Profile Tubes D30 in parallel, thereby creating strong structures that are resistant to deflection, for example. The Parallel Fastener is also suitable for connecting other fastening elements to the profile contour.

Caps D30 F are used to cover over the screw connection of the Fastener, making cleaning easy and ensuring your design looks its best. Two Caps D30 F are used for each Parallel Fastener D30.



Parallel Fastener D30 connects together Profile Tubes D30, Tubes D30 (with Tube Adapter D30), Profiles 6 D30 and Profiles 8 (with Adapter 8 D30).

It is also used in combination with Angle Fastener D30 and to secure accessories.



**Parallel Fastener D30**

2 parallel fastener halves D30, die-cast aluminium, natural  
 1 Hexagon Socket Head Cap Screw DIN 912-M6x14, St, bright zinc-plated  
 1 hexagon nut DIN 934-M6-5, St, bright zinc-plated  
 m = 53.0 g

1 set

0.0.629.94

**Cap D30 F**

PA-GF  
 m = 0.2 g

grey, similar to RAL 7042, 1 pce.

0.0.629.80

Ultimate versatility.

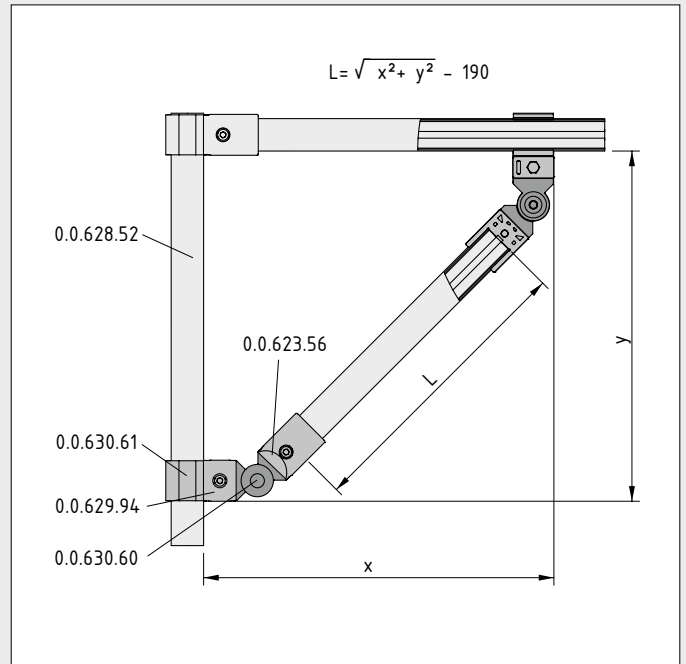
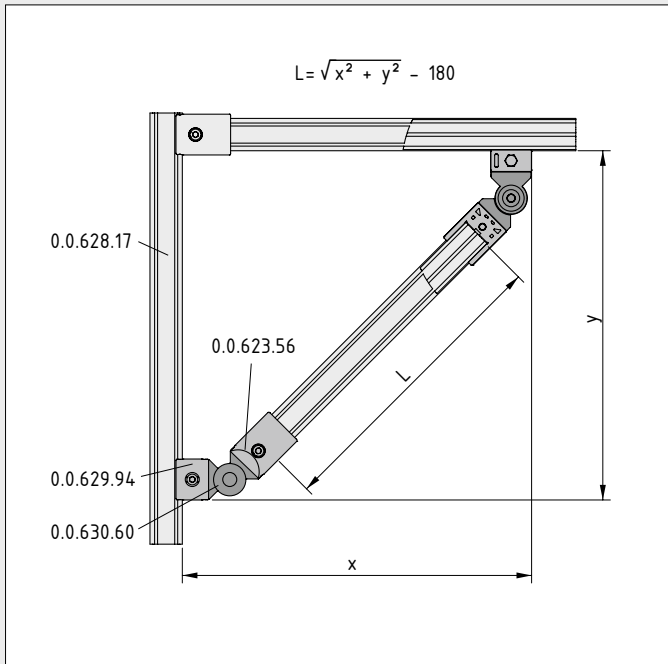


## Angle Fastener D30

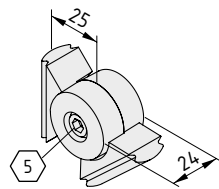
Connects Profiles and Tubes D30 at any angle in the form of either butt or side connections. That is the strength of Angle Fastener D30.

Its fastening surface matches the contour of Profiles D30, making it a universal fastener. As a result, it can be combined with Fastener D30 or Parallel Fastener D30 to create whichever connection is required.

Caps D30 F are used to cover over the screw connection of the fastener, making cleaning easy and ensuring your design looks its best. Two Caps D30 F can be used for each Angle Fastener D30.



The length of connecting profile L is determined by the fastening elements that are used.



**Angle Fastener D30**

2 angle fastener halves D30, die-cast aluminium, natural  
 Angle fastener screw, St, bright zinc-plated  
 Angle fastener nut, St, bright zinc-plated  
 Adapter washer DIN 988 7x13x0.5, St  
 m = 66.0 g

1 pce.

0.0.630.60



**Cap D30 F**

PA-GF  
 m = 0.2 g

grey, similar to RAL 7042, 1 pce.

0.0.629.80



A strong hold.

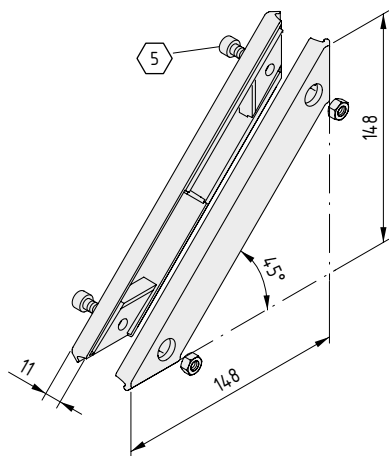
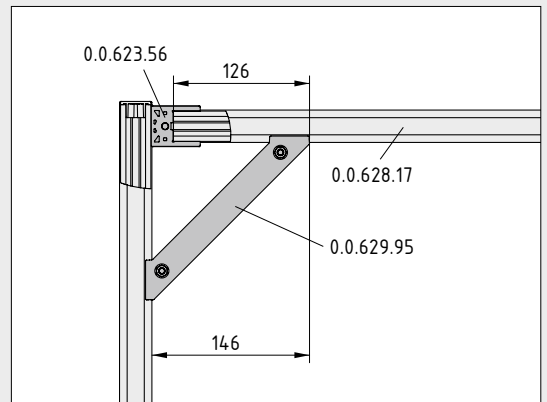
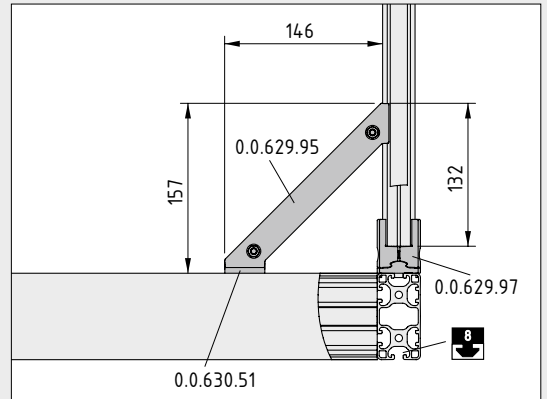
Straightforward assembly

High load-carrying capacity

### Bracing Strut D30-90°

An enhancement for the 90° fastener when bending moments generate load stress. The Bracing Strut is also easy to retrofit, can be screwed into place quickly and provides effective support for the fastening point.

Caps D30 F are used to cover over the screw connection of the Bracing Strut, making cleaning easy and ensuring your design looks its best. Four Caps D30 F can be used for each Bracing Strut.



**Bracing Strut D30-90°**

2 bracing strut halves D30-90°, die-cast aluminium, natural  
 2 Hexagon Socket Head Cap Screws DIN 912 M6x14, St, bright zinc-plated  
 2 hexagon nuts DIN 934-M6-5, St, bright zinc-plated  
 m = 171.0 g

1 set

0.0.629.95



**Cap D30 F**

PA-GF  
 m = 0.2 g

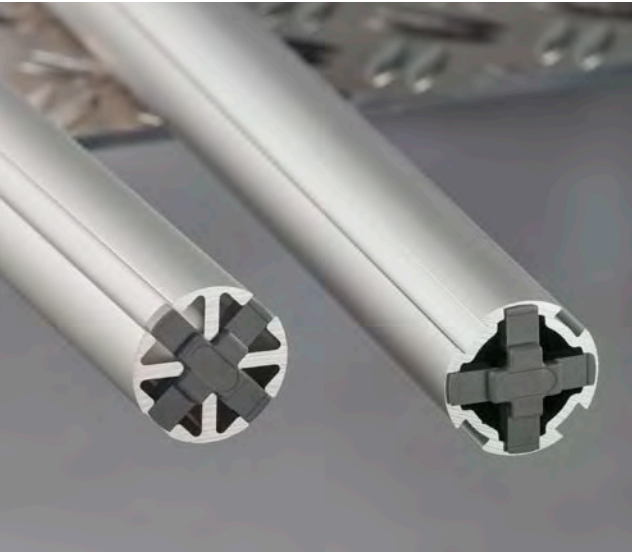
grey, similar to RAL 7042, 1 pce.

0.0.629.80



Bridging the gap.

No additional components are required



### End Connector 8 D30-90°

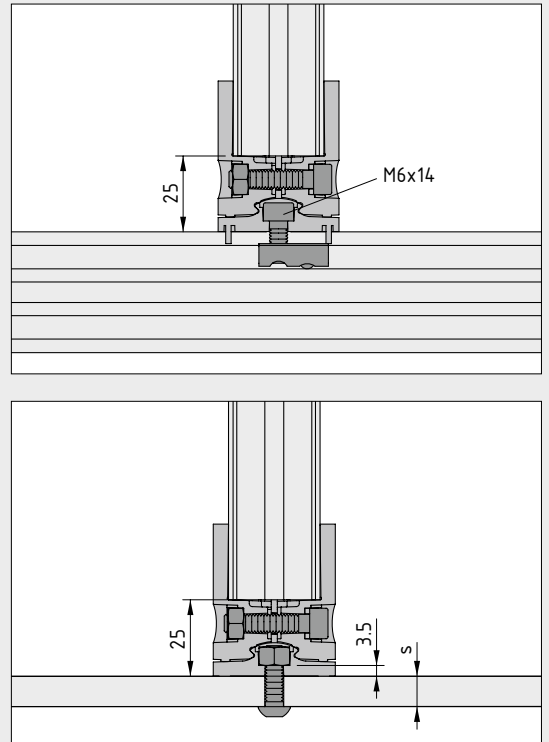
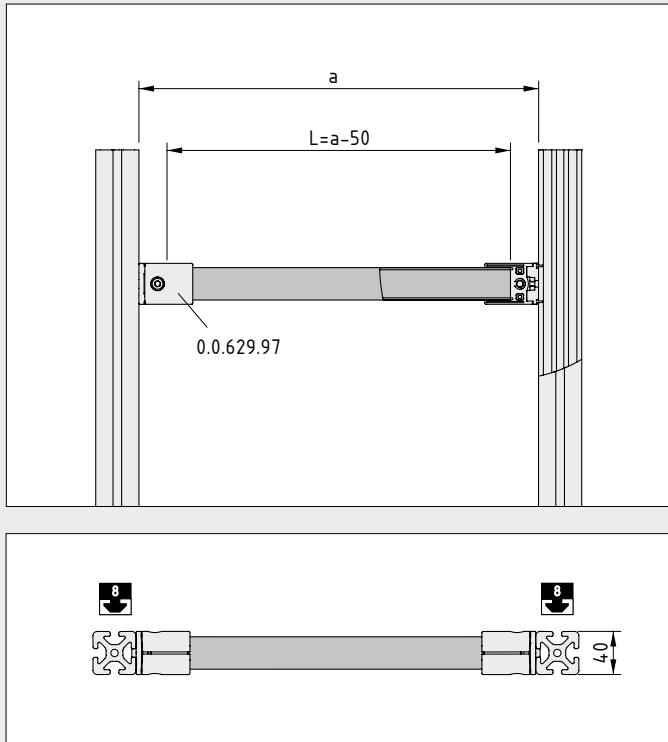
When a flexible structure made from Line D30 is to be fitted to a stable and exceptionally strong substructure constructed using Line 8 Profiles, the End Connector 8 D30-90° provides the ideal solution.

The base plate is screwed to the Profile 8 groove and secured to prevent it twisting. The clamping jaws encompass Tubes D30 and Profiles D30. Breaking off the anti-torsion features allows End Connector 8 D30-90° to be fitted at any angle of rotation.

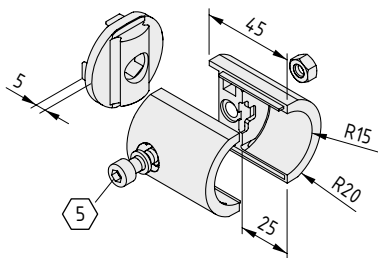
Caps D30 R cover over the screw connection of End Connector 8 D30-90°, making cleaning easy and ensuring your design looks its best.

Two Caps D30 R can be used for each End Connector 8 D30-90°.

Anti-Torsion Blocks 6 D30 ensure that Profiles D30 and Profile Tubes D30 are correctly aligned in End Connector 8 D30-90°.



The anti-torsion features must be removed when fastening End Connector 8 D30-90° to any component other than a Profile 8 groove. An M6 nut can be inserted into the connection adapter to create a screw connection.



**End Connector 8 D30-90°**

2 connector halves 8 D30-90°, die-cast aluminium, natural  
 Connector 8 D30-90° adapter, die-cast aluminium, natural  
 Hexagon Socket Head Cap Screw DIN 912 M6x28, St, bright zinc-plated  
 Hexagon nut DIN 934 M6-5, St, bright zinc-plated  
 Washer, St, bright zinc-plated  
 m = 115.0 g

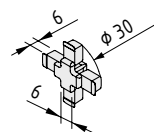
1 set 0.0.629.97



**Cap D30 R**

PA-GF  
 m = 0.3 g  
 grey, similar to RAL 7042, 1 pce.

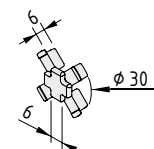
0.0.624.11



**Anti-Torsion Block 6 D30**

PA-GF  
 m = 1.4 g  
 grey, similar to RAL 7042, 1 pce.

0.0.630.39



**Anti-Torsion Block 6 D30-45°**

PA-GF  
 m = 1.4 g  
 grey, similar to RAL 7042, 1 pce.

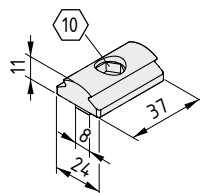
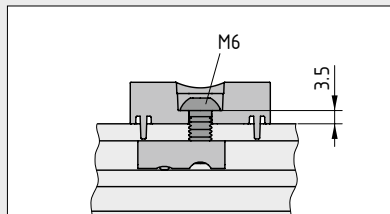
0.0.630.40

Know no limits.

Simple and universal!

### Adapter 8 D30

A universal interface for Line D30. By creating a connecting contour, Adapter 8 D30 allows you to connect fastening elements to Profile 8 grooves or any flat surface. Production tolerances are easily balanced out. Consequently, attaching a structure made using Line D30 couldn't be easier.



#### Adapter 8 D30

Die-cast aluminium  
m = 17.7 g

1 pce.

0.0.630.51



## Fastening elements.

### Endless possibilities

Structural components are enhanced by fastening elements for panelling and working surfaces and for making sure information and container mountings are close to hand. This opens up new opportunities for integration into existing production facilities or adding functional elements with ease. Elements from third-party suppliers can also be added.

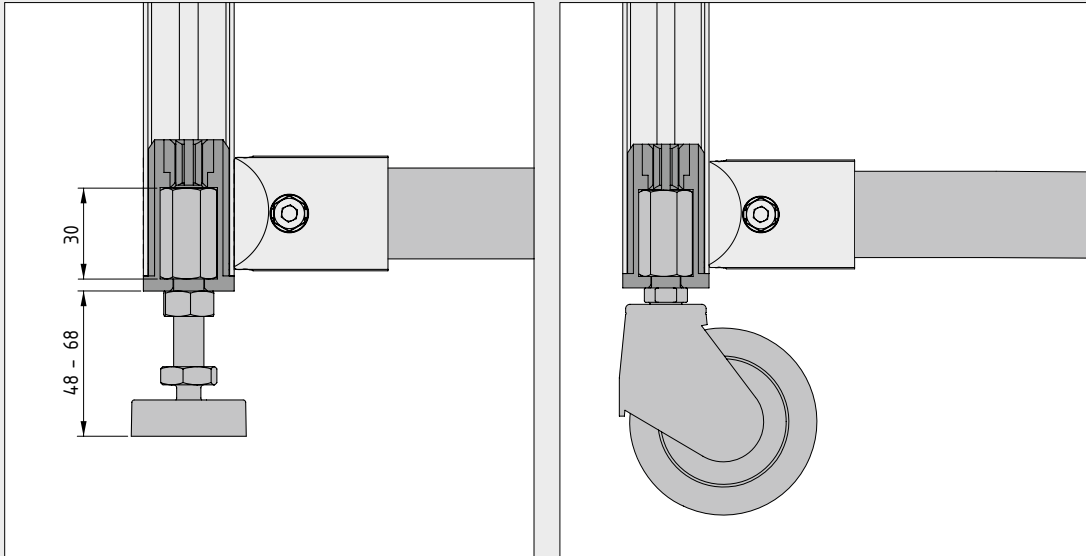
Use of the Profile 6 groove in Profiles 6 D30 means that components from the item MB Building Kit System are ideally compatible. Using T-Slot Nuts allows heavy-duty fastenings to be created in next to no time. And the diverse, tried-and-tested range of fastening elements from Line 6 are the perfect complement to the new D30 fasteners.

A close-up photograph of a metal assembly. A vertical tube is shown with a horizontal tube intersecting it. A threaded insert is inserted into the end of the vertical tube, and a hex nut is tightened onto it. The insert is secured with a lock washer. The brand name 'Rem' is visible on the horizontal tube. A red banner at the top contains the text 'A fitting footnote.'

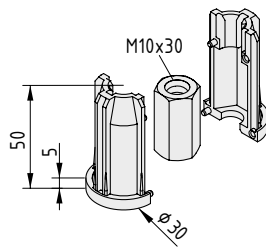
A fitting footnote.

## Threaded Insert D30 M10

Threaded Insert D30 M10 is inserted into the end faces of Tubes and Profile Tubes D30 in order to fasten adjustable feet and castors and is ideal for components under heavy compressive loads.



Recommended accessories for Threaded Insert D30 M10:  
 Knuckle Foot X D40, M10x80 (0.0.602.44) and Swivel Castor  
 D65 (0.0.444.94) from the Comprehensive Catalogue for the  
 MB Building Kit System.



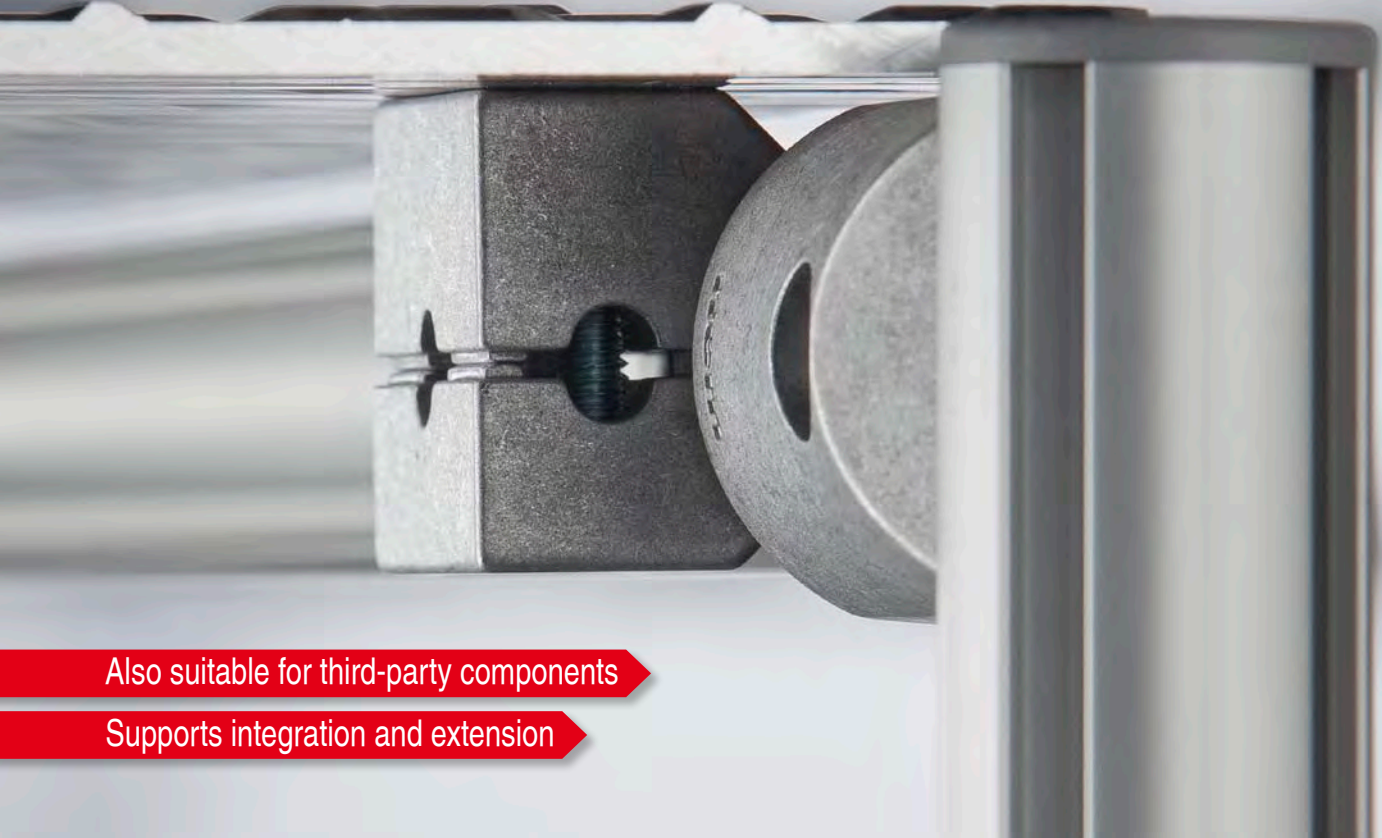
#### Threaded Insert D30 M10

2 threaded insert halves D30 M10, PA-GF, grey, similar to RAL 7042  
 Hexagon Nut M10x30, St, bright zinc-plated  
 m = 20.3 g

1 set

0.0.634.36

The third dimension.



Also suitable for third-party components

Supports integration and extension

## Multiblock D30

The heavy-duty, universal fastening point on Tubes, Profile Tubes and Profiles 6 D30 – the aluminium Multiblock. It offers a stable connection point for panels or mounting plates, non-system components and functional elements that have been developed in house. Attachments can be screw-connected in all three spatial directions. As the two halves of Multiblock D30 are different sizes, attachments can be fastened at a tangent to the profile groove or Fastener on different levels.

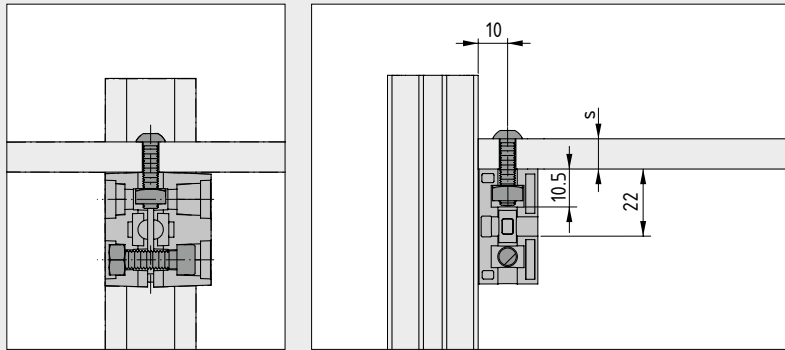
Multiblock D30 is screwed to the contour of Profile Tubes and Profiles 6 D30. Tube Adapter D30 is required to connect the fastener to a Tube D30.

Caps D30 F cover over the screw connection of Multiblock D30, making cleaning easy and ensuring your design looks its best. Up to four can be used.

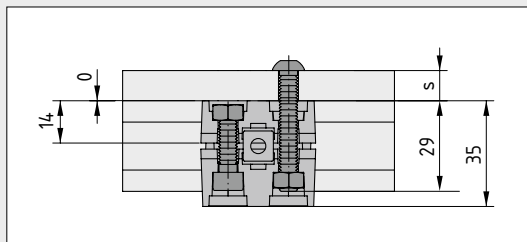


### Tip

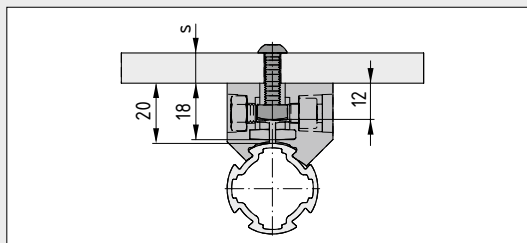
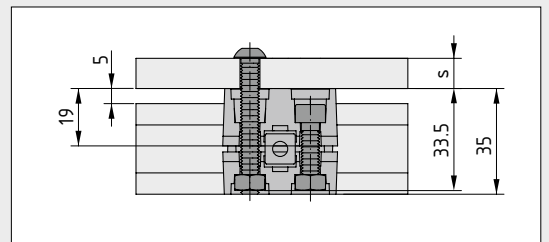
Cap D30 F holds hexagon nut M6 in the countersink of the Multiblock during fitting – for simple assembly from any direction.



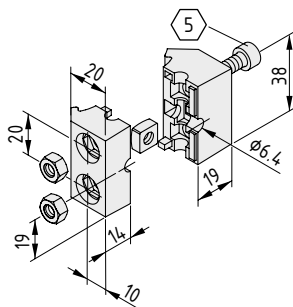
1. Fastening a panel to a vertical profile



2. Fastening a panel along the length of a profile, clearance 0 and 5 mm



3. Fastening a panel along the length of a profile, clearance 20 mm



#### Multiblock D30

Multiblock D30 half M6 K, die-cast aluminium, natural  
 Multiblock D30 half M6 G, die-cast aluminium, natural  
 Square nut DIN 557 M6-5, St, bright zinc-plated  
 2 hexagon nuts DIN 934 M6-5, St, bright zinc-plated  
 Hexagon Socket Head Cap Screw DIN 912 M6x22, St, bright zinc-plated  
 m = 71.5 g

1 set

0.0.629.96



#### Cap D30 F

PA-GF  
 m = 0.2 g  
 grey, similar to RAL 7042, 1 pce.

0.0.629.80

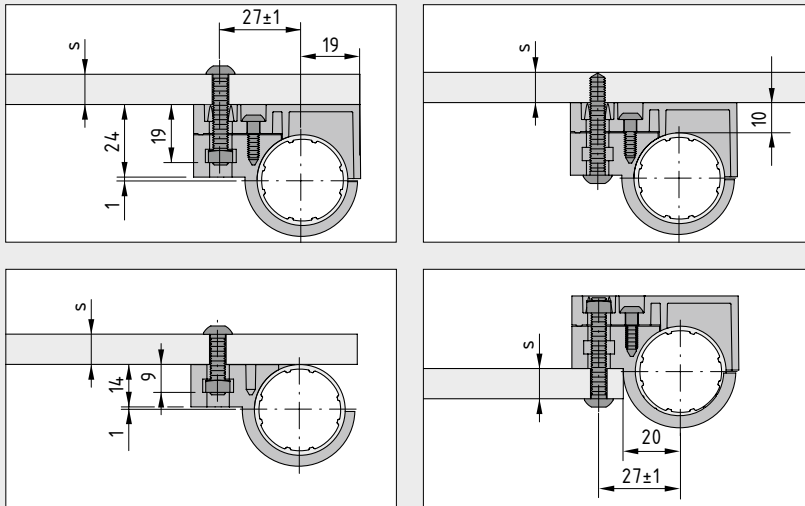
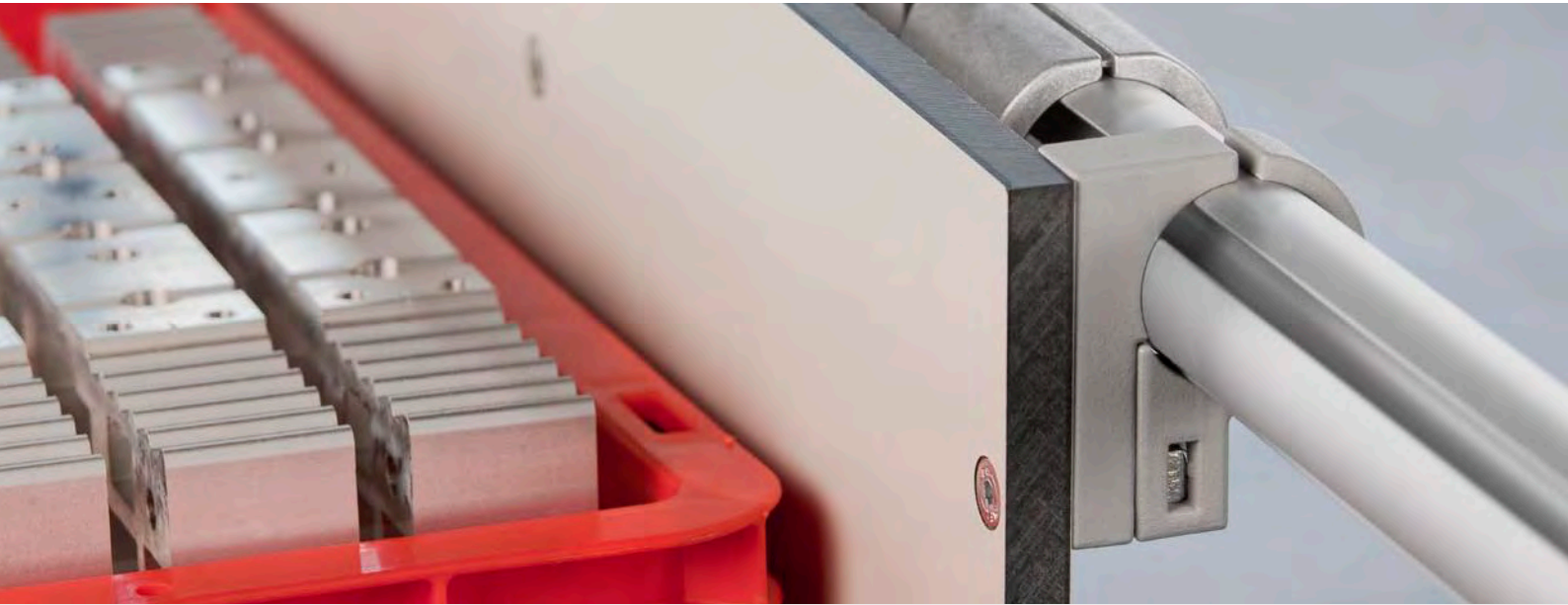
Perfectly flat.



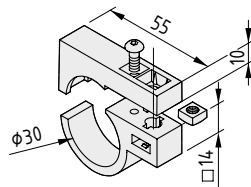
### Panel Fastener D30

The universal fastening for panel elements that are used for panelling, screening and light mechanical loads. Can be applied directly to both Tubes and Profiles D30.

The height adjuster is used when fastening panels that are to run along the outside of tube structures.



Panel Fastener D30 for a diverse range of fastening options – install panel elements in tube frames or run them along the outside of a tube structure. Using the height adjuster ensures that panels have sufficient clearance from Fasteners.



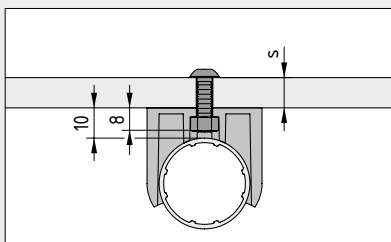
**Panel Fastener D30**

Height adjuster, PA-GB, grey, similar to RAL 7042  
 Basic unit, PA-GB, grey, similar to RAL 7042  
 Button-Head Screw T4x12, St, bright zinc-plated  
 Square nut DIN 557-M5, St, bright zinc-plated  
 m = 19.2 g

1 set

0.0.630.74

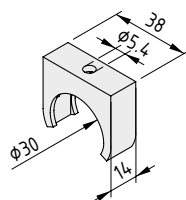
The flexible solution.



### Tube Clamp D30

The simple fastening clip that is fixed externally to Tubes and Profiles D30. Suitable for all lightweight attachments, fast tool-free fitting and simple to remove. The flexible solution, even when something only needs to be attached temporarily.

A hexagon nut M5 can be inserted into the Tube Clamp.



#### Tube Clamp D30

PA-GF  
m = 8.7 g

grey, similar to RAL 7042, 1 pce.

0.0.630.83



## Material flow.

### When movement matters

Goods, finished parts and consumables – in a modern production system everything has to keep flowing. Achieving that requires cost-effective conveyor systems.

Transporting items over abrasion-resistant sliding strips ensures that they reach the work bench safely.

Various types of roller conveyor help keep the supplies coming in from Kanban shelves.

The material flow components in Line D30 are incredibly easy to build and install – ensuring that everything flows smoothly.

## Rolling zones.

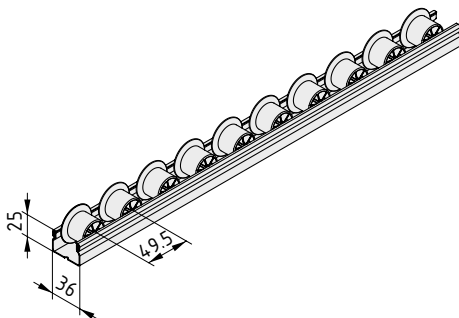
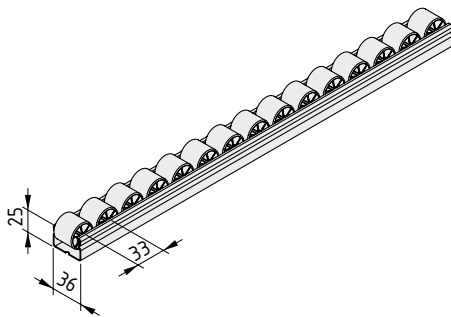
For modern production systems

Dynamic and efficient



### Roller Conveyor St D30

For your Kanban shelves – easy-running roller conveyors with steel axles for a long service life.



#### Roller Conveyor St D30

St, bright zinc-plated  
Rollers PP, grey/black (ESD)  
Axles St, bright zinc-plated  
m = 850.0 g

1 pce., length 4500 mm 0.0.633.91

#### Roller Conveyor St D30 ESD



1 pce., length 4500 mm 0.0.637.55

#### Roller Conveyor St D30 with Flanged Wheel

St, bright zinc-plated  
Rollers PP, grey/black (ESD)  
Axles St, bright zinc-plated  
m = 760.0 g

1 pce., length 4500 mm 0.0.633.92

#### Roller Conveyor St D30 ESD with Flanged Wheel



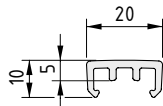
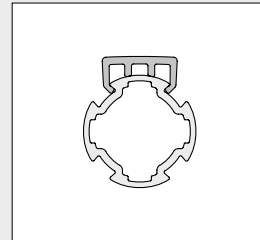
1 pce., length 4500 mm 0.0.637.56

It doesn't get any faster.



### Slide Strip D30

Simply clip the Slide Strips onto Profile Tubes D30 or Profiles 6 D30 to turn profiles into conveyor lines. It doesn't get any faster!  
The black Slide Strips are electrostatically dissipative and ideal for conveying sensitive parts!



#### Slide Strip D30

PE-HD

m = 150.0 g

grey, similar to RAL 7042, 1 pce., length 2000 mm

0.0.634.42

#### Slide Strip D30 ESD

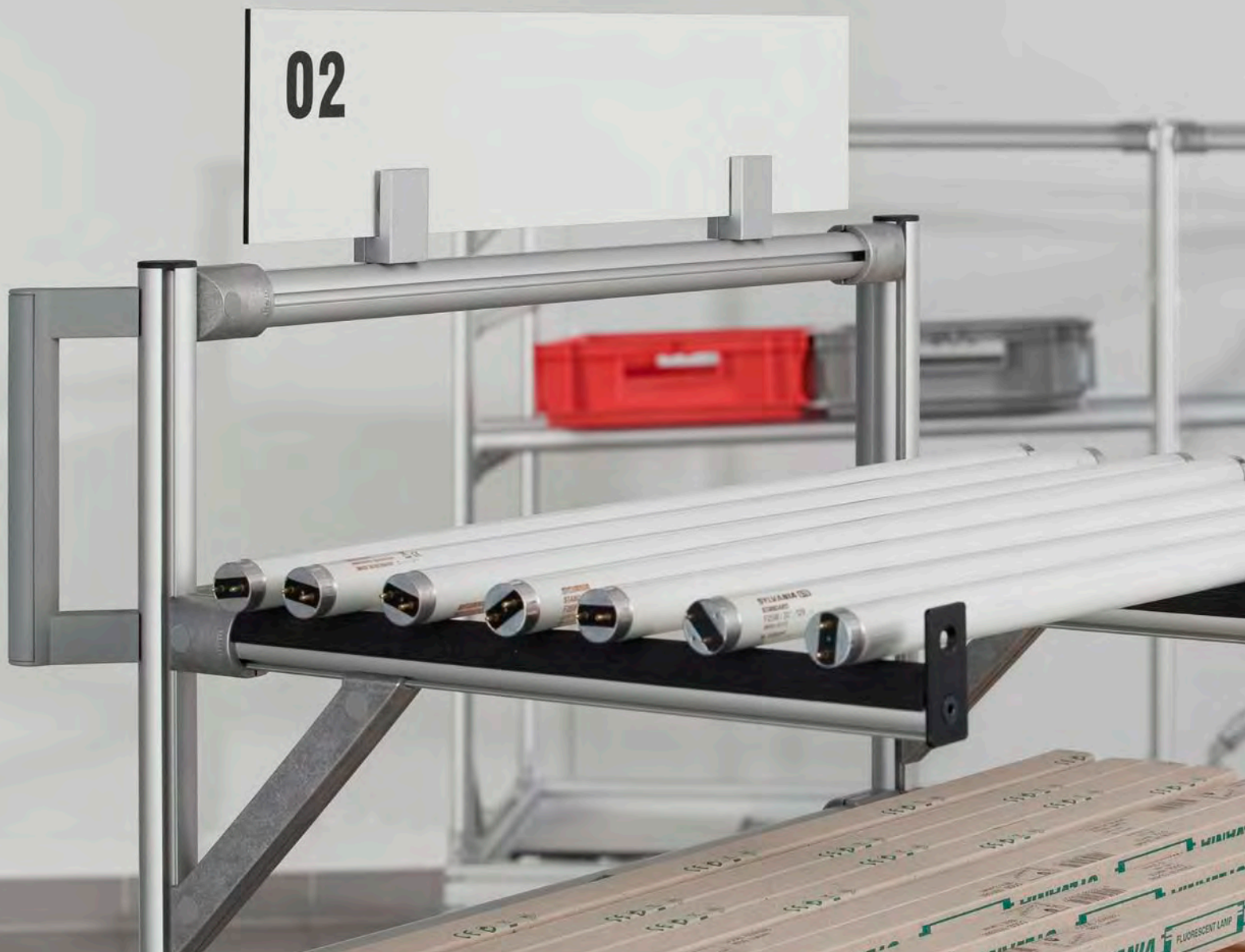


PE-HD

m = 160.0 g

black, similar to RAL 9005, 1 pce., length 2000 mm

0.0.634.55



## MB products as enhancements.

### Additional fastening elements from the MB Building Kit System that are ideally suited for use with Profiles 6 D30:

**T-Slot Nuts 6:**

For insertion into the profile groove.  
Create strong fastenings directly on the profile.

**Screw Strip 6 Al:**

Simply press into the profile groove.  
Simple screw connections wherever you need them, using 4.2 mm Self-Tapping Screws.

**Flat Bracket and Angle Bracket 6 30:**

Universal profile fastenings.

**Hinges 6 PA:**

Lightweight doors for D30 profile designs.

**Panel Clamp X 6-8:**

The elegant panel fastener with an all-round gap.

**Cover Profile 6**

Fast and secure: Fasten panels direct in the profile groove.

**Lip Seal 6:**

Dust-tight and easy to clean.

**Panel elements:**

Available in a huge range of cut-offs.

**Handle Al light:**

The aluminium grip with an elegant look.

**Conduit Profiles U 30:**

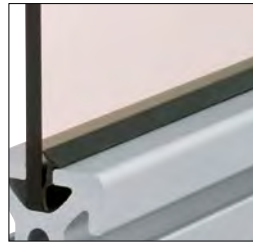
Fitted to tubes in next to no time with Panel Fastener D30.

**Universal Holder:**

Fastening for cables and hoses, in combination with Tube Clamp D30



T-Slot Nut 6 St M3	0.0.459.44
T-Slot Nut 6 St M4	0.0.419.46
T-Slot Nut 6 St M5	0.0.419.43
T-Slot Nut 6 St M6	0.0.419.40



Lip Seal 6 2-4mm, black	0.0.439.20
Lip Seal 6 2-4mm, grey, similar to RAL 7040	0.0.491.08



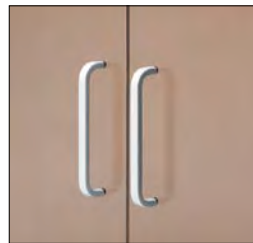
Screw Strip 6 Al	0.0.439.17
------------------	------------



For panel elements, please see the MB Building Kit System catalogue.



Hinge 6 PA, right	0.0.431.23
Hinge 6 PA, left	0.0.431.25
Double Hinge 6 PA	0.0.431.27



Handle, light duty	0.0.026.44
--------------------	------------



Bracket 6 30 flat	0.0.459.11
Angle Bracket 6 30 right-angled	0.0.459.12



Conduit Profile U 30x15 E	7.0.002.97
Conduit Profile U 30x30 E	7.0.002.89
Lid Profile D30 E	7.0.002.85



Panel Clamp X 6-8	0.0.605.41
-------------------	------------



Universal Holder	0.0.418.24
------------------	------------



Cover Profile 6, natural	0.0.431.03
Cover Profile 6, black	0.0.431.02

Many more modular system elements from Line 6 can be combined with Profiles 6 D30! All of these can be found in our Comprehensive Catalogue for the MB Building Kit System or online: [www.item.info](http://www.item.info)



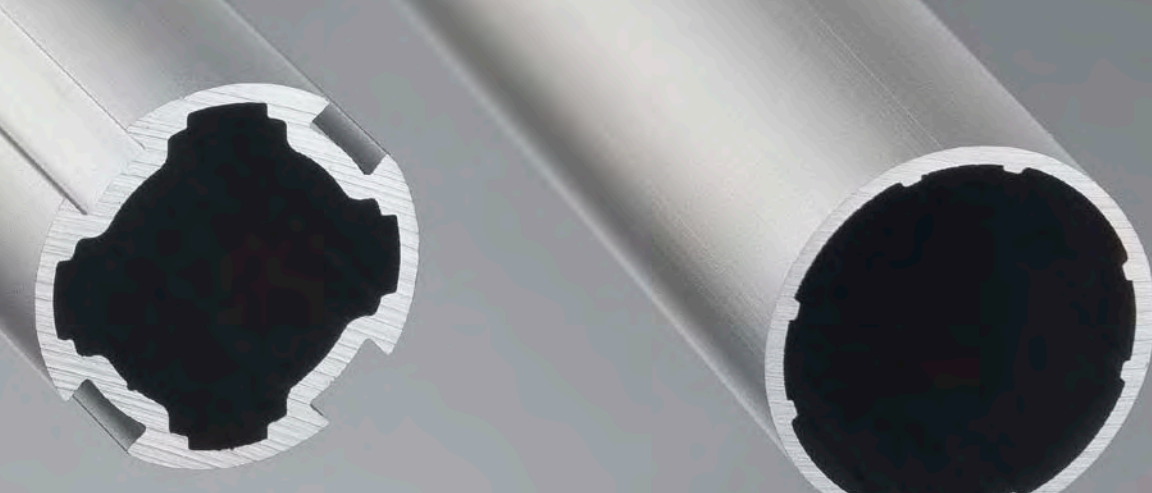
## Alphabetical Index

<b>A</b>		<b>P</b>	
Adapter 8 D30	20	Panel Fastener D30	27
Angle Fastener D30	15	Parallel Fastener D30	13
Anti-Torsion Block 6 D30	9, 19	Profile 6 D30	6
<b>B</b>		Profile Tube D30	5
Bracing Strut D30-90°	17	<b>R</b>	
<b>C</b>		Roller Conveyor St D30	30
Cap 6 D30	6	Roller Conveyor St D30 with Flanged Wheel	30
Cap D30 R	9, 19	<b>S</b>	
Cap D30 F	13, 15, 17, 25	Slide Strip D30	31
Cap, Tube D30	5	<b>T</b>	
<b>E</b>		Threaded Insert D30 M10	23
End Connector 8 D30-90°	19	Tube Adapter Cap D30	11
<b>F</b>		Tube Adapter D30	11
Fastener D30	9	Tube Clamp D30	28
<b>M</b>		Tube D30	5
Multiblock D30	25		

If you require information material, please get in touch with your distribution and service contact. Or you can visit us at our website: [www.item.info](http://www.item.info)

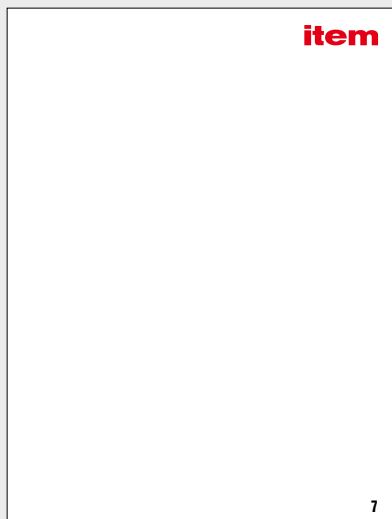
Up-to-date information is available online





## Other New Products Catalogues for autumn 2010

### Comprehensive Catalogue for the item MB Building Kit System



### Work bench systems



### Line 10 and additions to Line 8



#### Concept, design and realisation

item Industrietechnik GmbH,  
Technical Documentation Department

#### Photographs

item Industrietechnik GmbH

Technical modifications and errors reserved.  
All rights reserved. Use of texts and illustrations or reprints of any kind only permitted with our prior written consent. This applies in particular to reproduction, translation or use in electronic systems.

**item** is a registered trademark of item Industrietechnik GmbH.

© item Industrietechnik GmbH 2010

#### Patents

Any copying of protected products is a violation of rights and, as such, shall be liable to compensation. Data and illustrations in this catalogue do not discharge the user from the obligation to carry out his own checks to determine whether the industrial property rights of third parties are infringed.

#### Product liability

item shall be liable, within the framework of the applicable legal provisions, for the promised characteristics of the products shown in this catalogue. Any claims for liability above and beyond such – in particular relating to products created by third parties using products included in this catalogue - are expressly excluded.

#### Conditions of use

The products in the item MB Building Kit System are suitable for use in dry conditions and over the temperature range -20°C to +70°C. item must be consulted where products are to be used for applications outside these limits.

#### Conformity with Directive 2002/95/EC ("RoHS")

item has made a voluntary undertaking to refrain from using hazardous substances as defined in Directive 2002/95/EC in the products it sells, irrespective of their subsequent purpose which, in the majority of cases, does not fall under this Directive. As a result, the products listed in this catalogue comply with Directive 2002/95/EC.

Your distribution and service partner

**item**

item Industrietechnik GmbH  
Friedenstrasse 107-109  
42699 Solingen  
Germany

Phone +49 212 6580 300  
Fax +49 212 6580 310

info@item.info  
www.item.info



0.4.119.11 09/2010 Made in Germany

Your ideas are worth it.